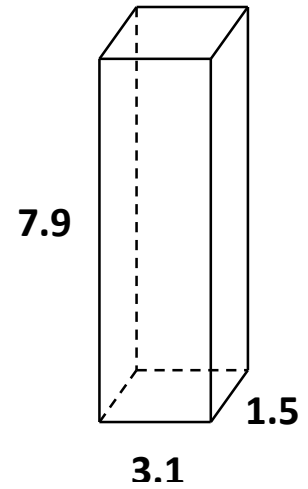


Name: \_\_\_\_\_

**Unit 2 - Measurement**  
**2.10 - Surface Area & Volume Practice**

1) Name of Polyhedron: \_\_\_\_\_

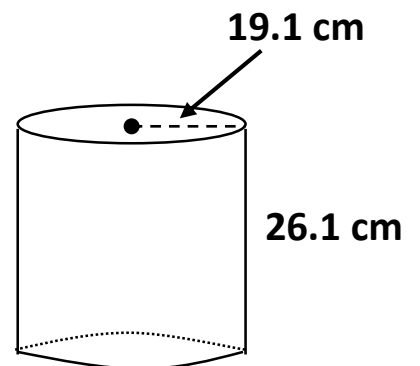
a) Find the Surface Area



b) Find the Volume

2) Name of Polyhedron: \_\_\_\_\_

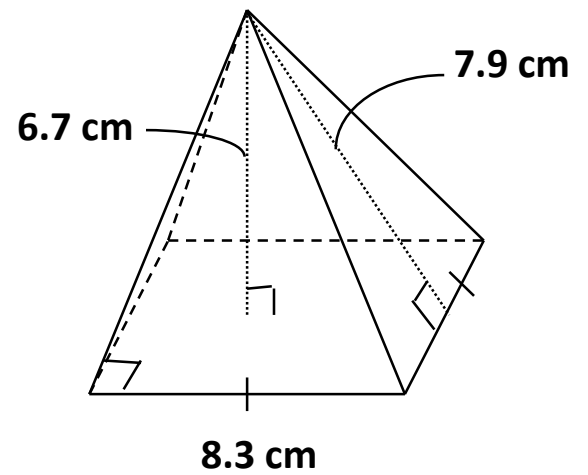
a) Find the Surface Area



b) Find the Volume

3) Name of Polyhedron: \_\_\_\_\_

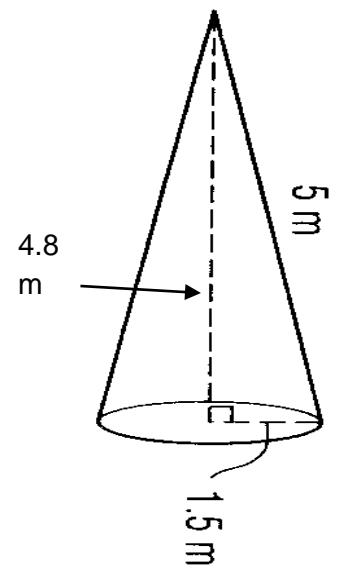
a) Find the Surface Area



b) Find the Volume

4) Name of Polyhedron: \_\_\_\_\_

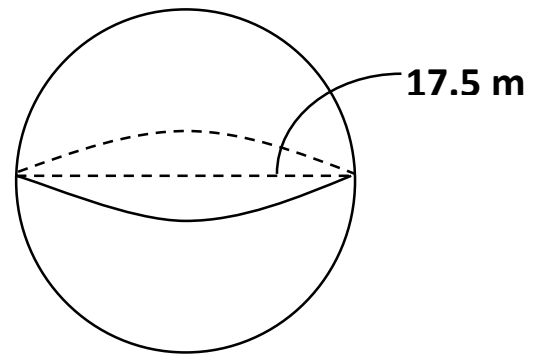
a) Find the Surface Area



b) Find the Volume

5) Name of Polyhedron: \_\_\_\_\_

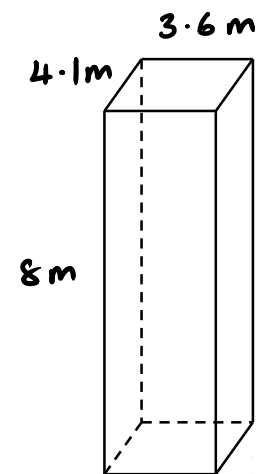
a) Find the Surface Area



b) Find the Volume

1) Name of Polyhedron: \_\_\_\_\_

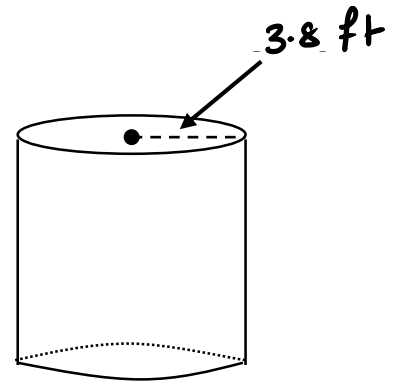
c) Find the Surface Area



d) Find the Volume

2) Name of Polyhedron: \_\_\_\_\_

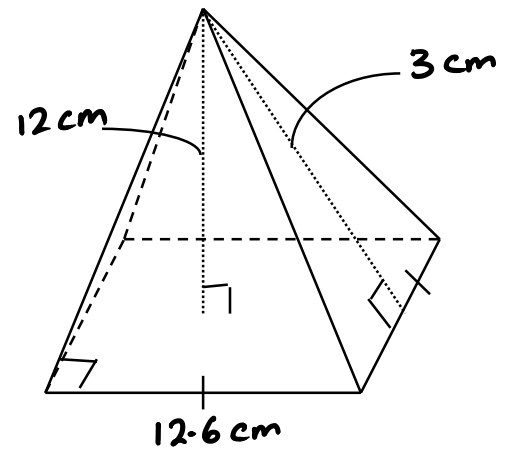
c) Find the Surface Area



d) Find the Volume

3) Name of Polyhedron: \_\_\_\_\_

c) Find the Surface Area

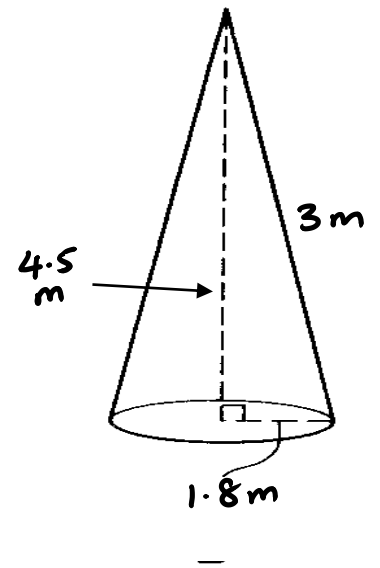


d) Find the Volume

4) Name of Polyhedron: \_\_\_\_\_

c) Find the Surface Area

d) Find the Volume



5) Name of Polyhedron: \_\_\_\_\_

c) Find the Surface Area

d) Find the Volume

